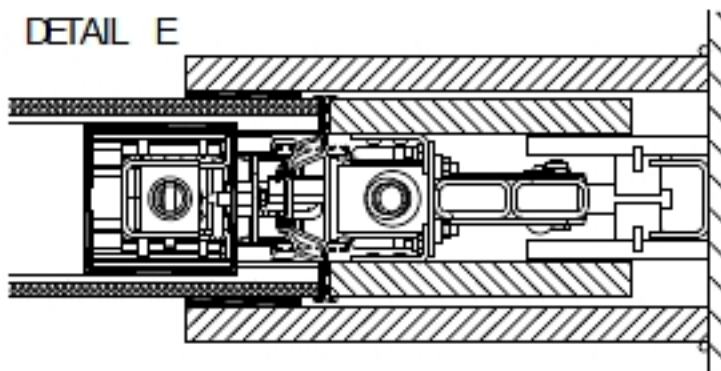


MEASUREMENT OF THE SOUND INSULATION ACCORDING TO ISO 10140-2:2010



principal: Parthos BV

construction tested: Transpalace; 44.2 - 44.2; with closure cover



— 1/3 oct.
* 1/1 oct.
- - - ref. curve (ISO 717)

volume measuring room: 111 m³

volume measuring room: 94 m³

surface area tested partition: 12 m²

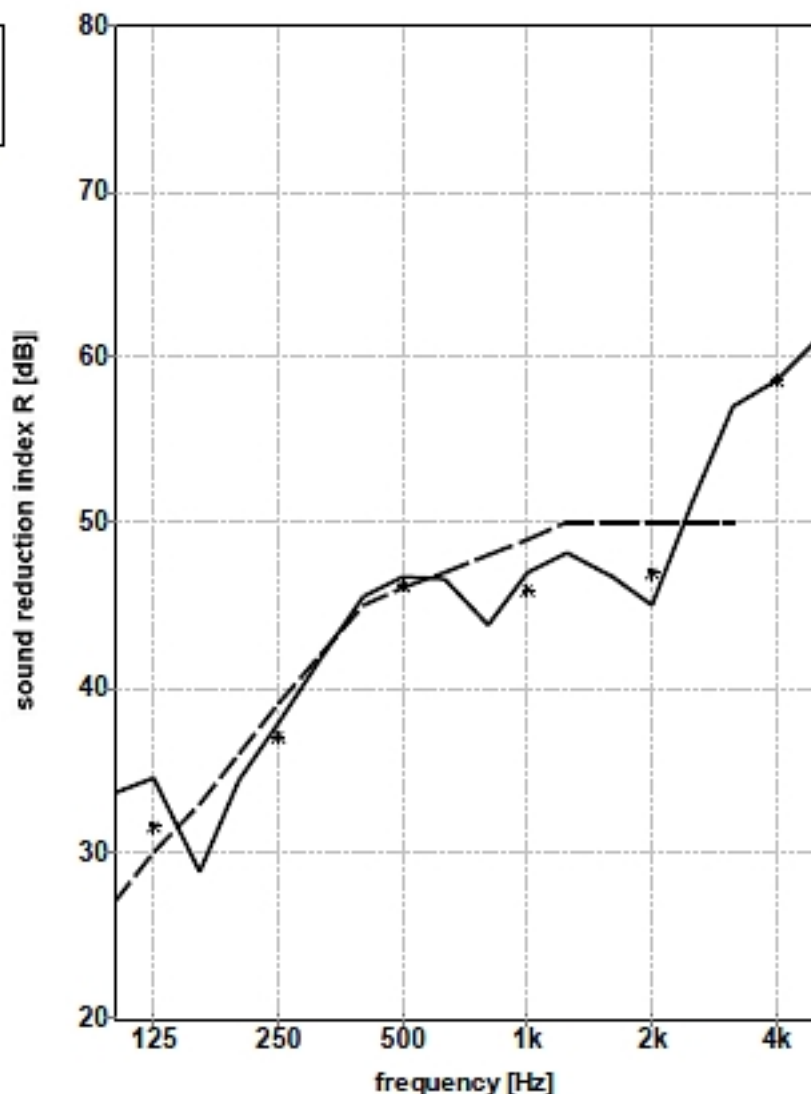
measured at:
Peutz Laboratory for Acoustics

signal: broad-band noise

bandwidth: 1/3 octave

ISO 717-1:1996

$$R_w(C;C_v) = 46(-1;-4) \text{ dB}$$



	125	250	500	1k	2k	4k
1/3 oct.	33,6 34,6 28,9	34,4 37,8 41,7	45,5 46,7 46,6	43,8 47,0 48,1	46,7 45,0 51,1	57,0 58,6 61,0
1/1 oct.	31,6	37,0	46,2	45,9	46,9	58,6 dB

publication is permitted for the entire page only

Mook, 30-11-2011